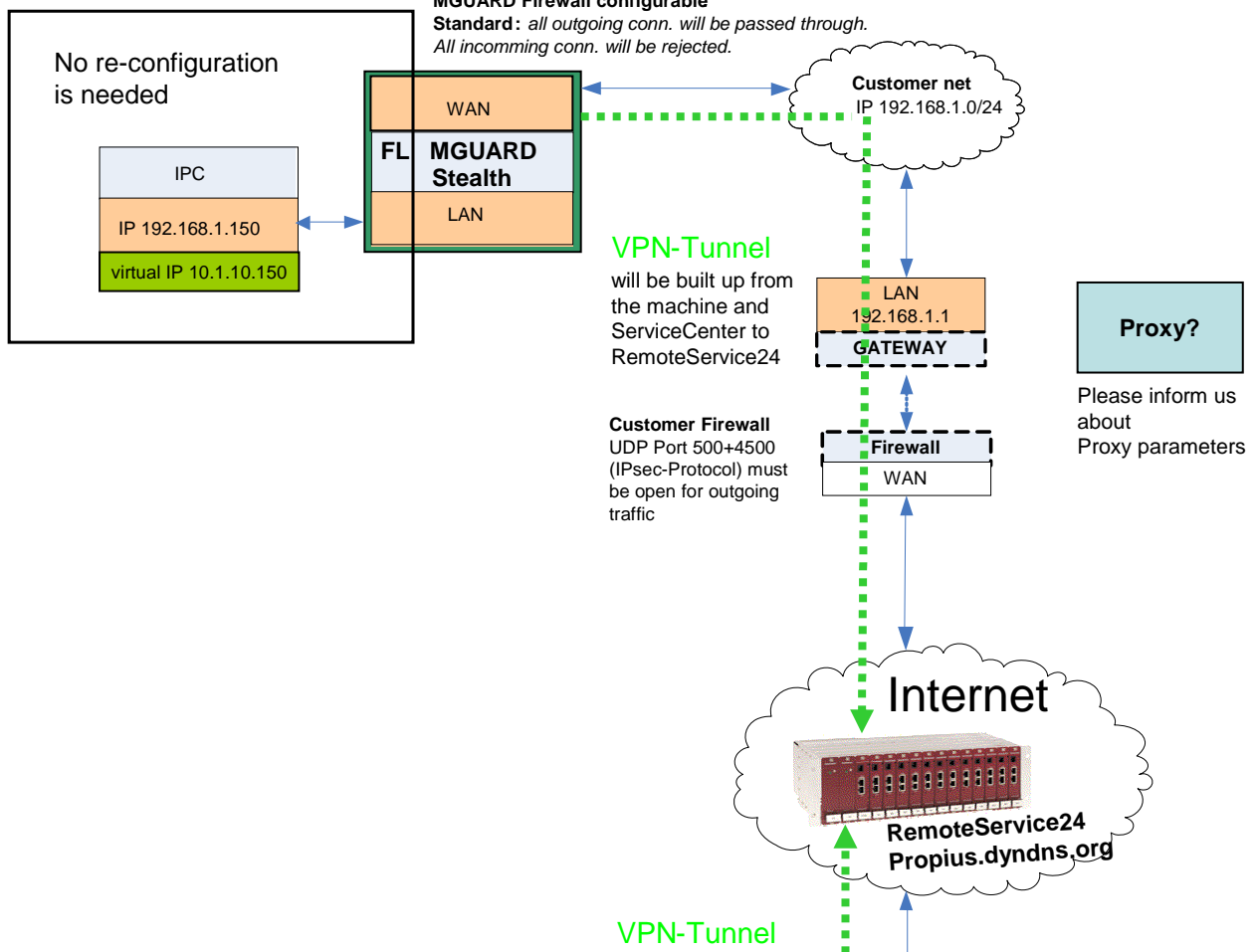
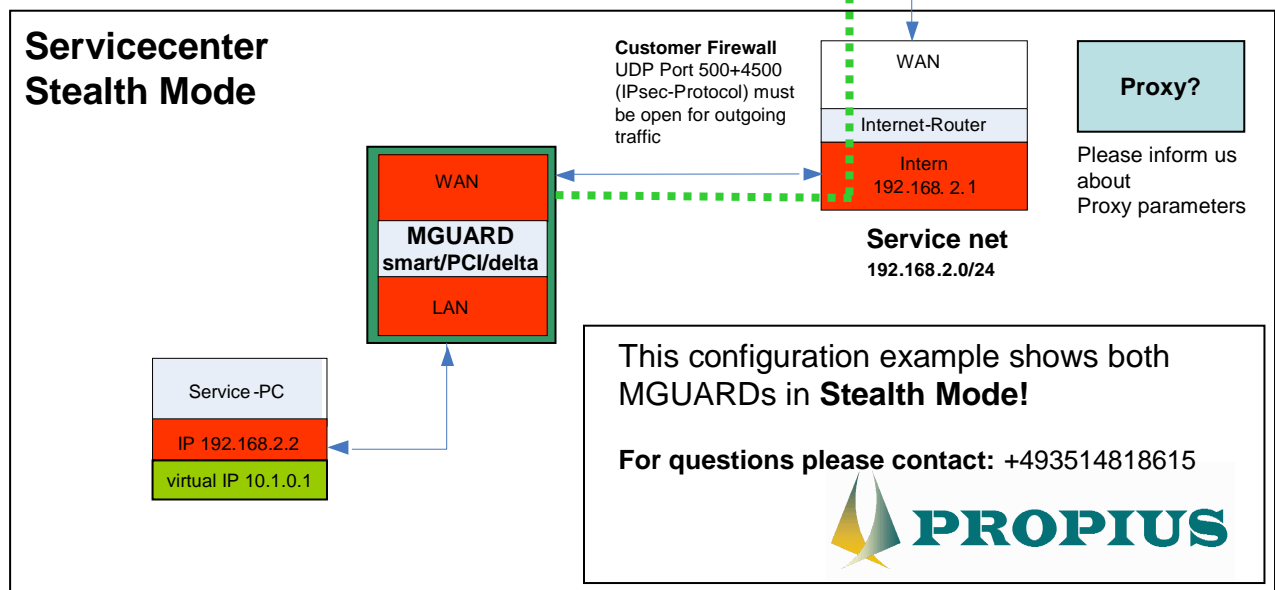


Configuration Example for Interconnection via Propius RemoteService24 – Stealth Mode

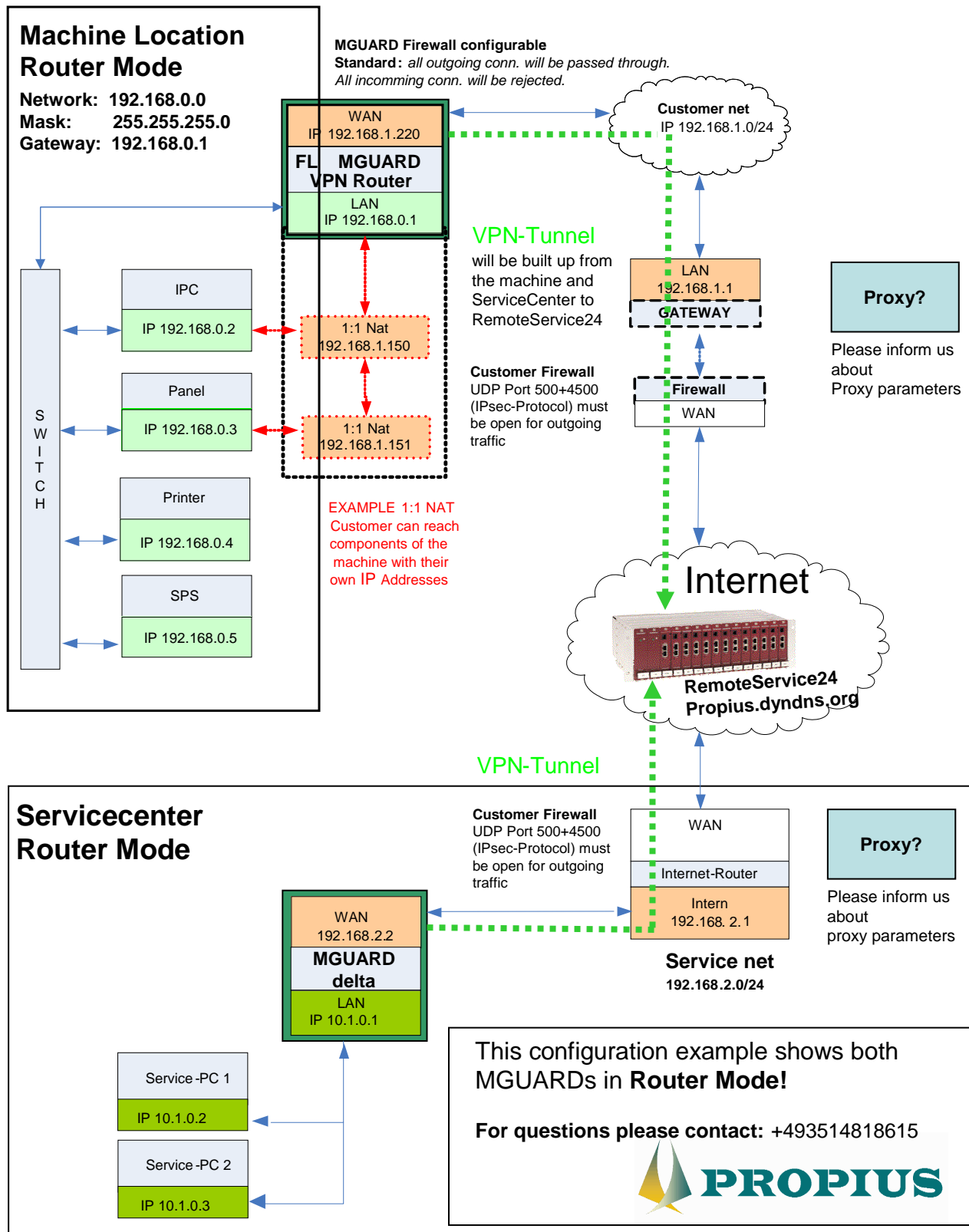
Machine Location Stealth Mode



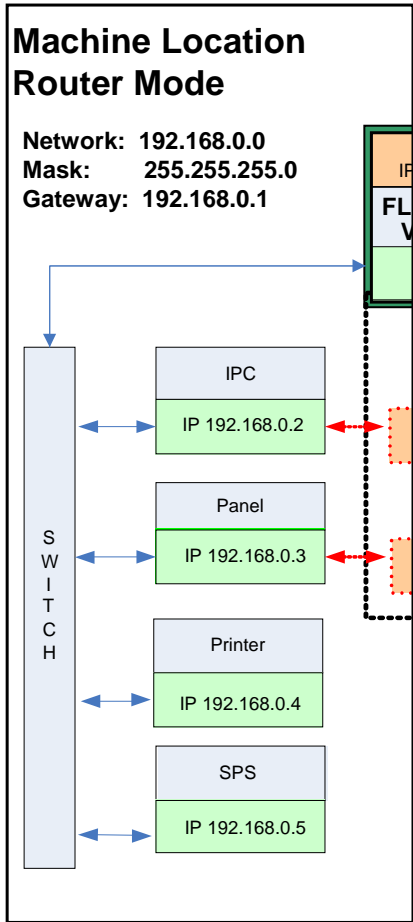
Servicecenter Stealth Mode



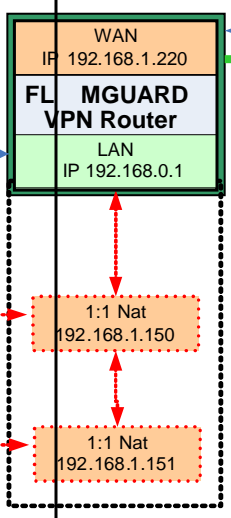
Configuration Example for Interconnection via Propius RemoteService24 - Router Mode



Configuration Example for Interconnection via Propius RemoteService24 – Router and Multi-Stealth Mode



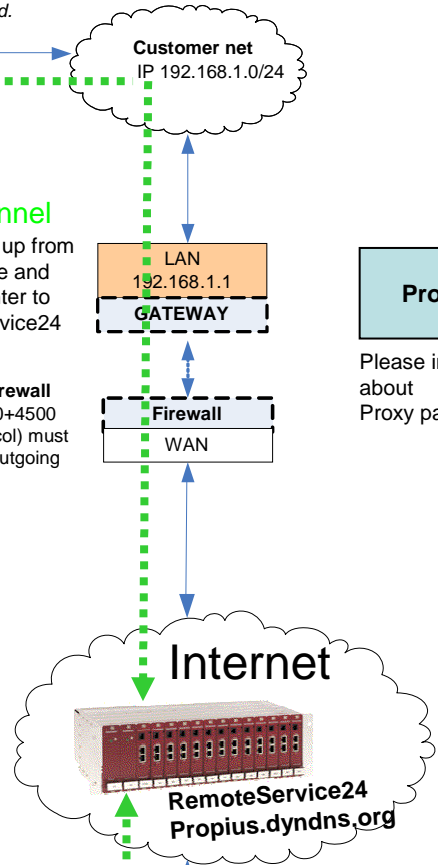
MGUARD Firewall configurable
Standard: all outgoing conn. will be passed through.
All incoming conn. will be rejected.



EXAMPLE 1:1 NAT
Customer can reach components of the machine with their own IP Addresses

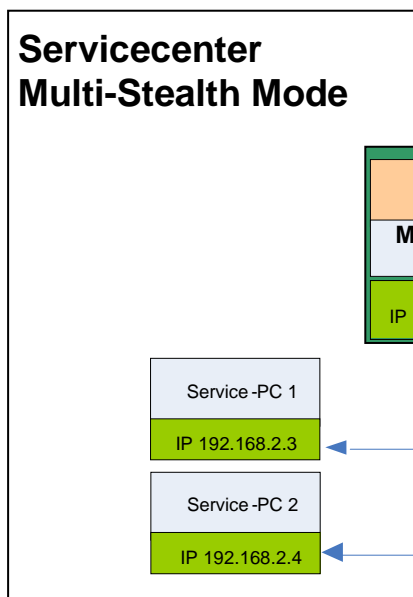
VPN-Tunnel
will be built up from the machine and ServiceCenter to RemoteService24

Customer Firewall
UDP Port 500+4500 (IPsec-Protocol) must be open for outgoing traffic

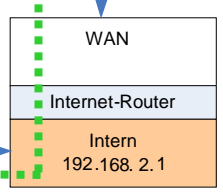


Proxy?

Please inform us about Proxy parameters



Customer Firewall
UDP Port 500+4500 (IPsec-Protocol) must be open for outgoing traffic



Service net
192.168.2.0/24

Proxy?

Please inform us about proxy parameters

This configuration example shows one MGUARD in **Router Mode** and one in **Multi-Stealth Mode**
For questions please contact: +493514818615

